

# CF-03A

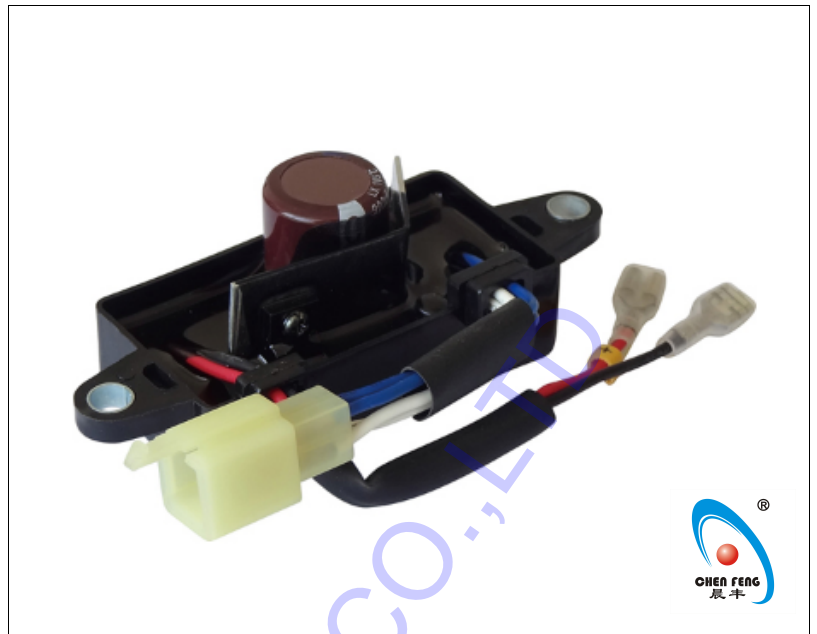
Self Excited Automatic Voltage Regulator  
Designed For Denyo\* & Gasoline  
Generators

## Features

- <math>\pm 2\%</math> Regulation
- For Use In 50/60hz Generators
- Adjustable Output Voltage\*\*
- Compatible With Many Different Models by Adapter Plug
- Economical Compact Design
- Single Phase Voltage Sensing

\* For reference purpose only, not a genuine Denyo\* product

\*\* The output voltage of the original AVR is not adjustable



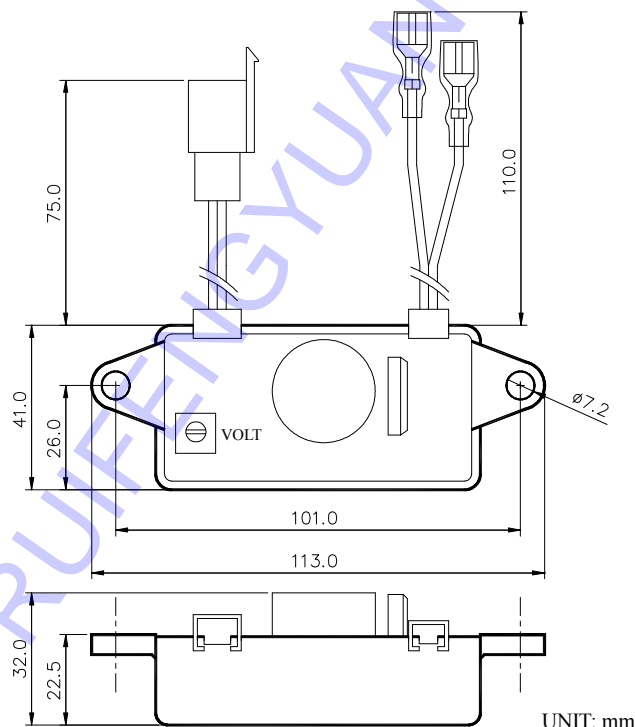
## Specifications

<b>Sensing Input</b>	Voltage	18 ~ 22 VAC, 1 phase2 wire	<b>Voltage Regulation</b>	<math>\pm 2\%</math> (within 4% engine governing)
<b>Power Input</b>	Voltage	60 ~ 90 VAC, 1 phase2 wire	<b>Voltage Build Up</b>	Residual volts at AVR terminal >1 VAC
<b>Excitation Output</b>	Voltage	5 ~ 85 VDC	<b>Voltage Adjust Range</b>	110 VAC $\pm$ 15%
	Current	Continuous 3A, Intermittent 4A for 60 sec	<b>Thermal Drift</b>	0.05% per $^{\circ}\text{C}$ change in AVR ambient
	Resistance	Min. 25 $\Omega$		

## Environment

<b>Vibration</b>	1.5G @ 5 ~ 30 Hz	5.0G @ 30 ~ 500 Hz	<b>Relative Humidity</b>	<math>< 95\%</math>
<b>Operating Temperature</b>	-40 ~ 60 $^{\circ}\text{C}$		<b>Storage Temperature</b>	-40 ~ 85 $^{\circ}\text{C}$

## Mechanical Specifications



UNIT: mm

## Applicable Modules

Brand	Type
KUBOTA Low Boy	GL6500S
YAMAHA	EDL6500S
HONDA	EP-1800、EP-2500
KAWASAKI	GE-1400、GE-2200 GA-2300、GA-2900
SUZUKI	SV-1400L、SV-1400LD SV-2200L、SV-2200LD
SAWAFUJI	SH-1800、SH-2600
MARUYAMA	ME-1800、ME-2600
ELEPAQ	PH-1800、PH-2600

## Physical Specifications

Weight	41.0 (L) x 113.0 (W) x 32.0 (H) mm
Dimensions	109 g $\pm$ 2%